

### Product Features

- Analog Output Channels : 6
- 12-bit resolution
- Software configurable for 4~20mA or 0~20mA output in individual channels
- Burn-out Detection
- Support Modbus RTU / ASCII Protocol
- LED Indicator
- Surge , EFT And ESD Protection
- Dual Watchdog Timer
- Low Power Indicator
- Operation Range: Up To 1200 Meters
- Free PC Software "ATC Utility"
- Isolation RS-485 Interface

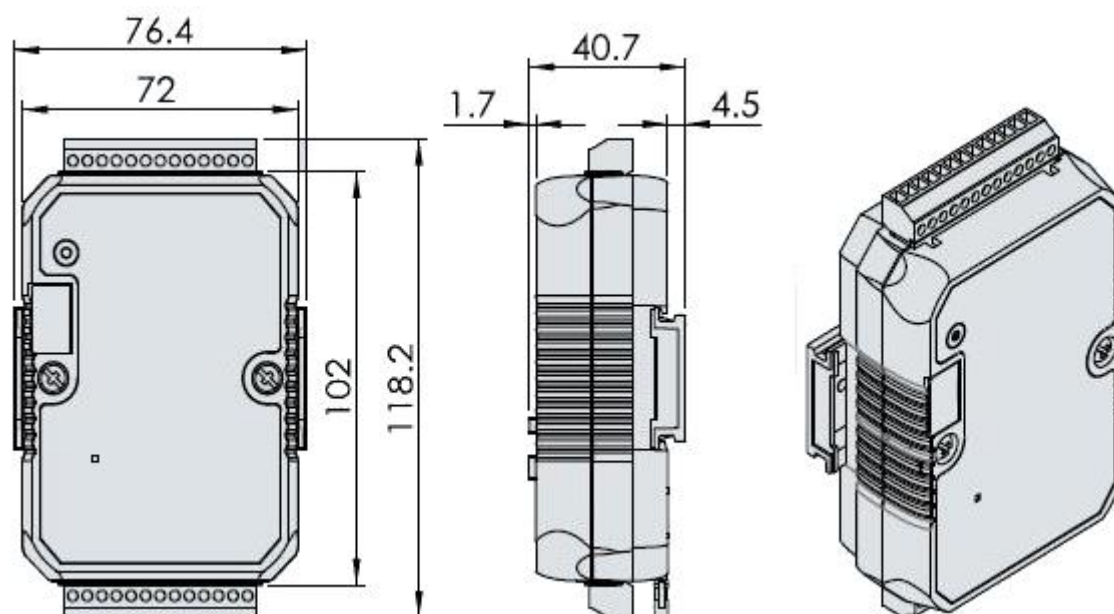


### Specifications

Display	
LED Indicator	Power
Power Supply	
Power Requirement	10-30 VDC
Analog Output	
Channels	6
Current Output	0-20 mA, 4-20 mA
Current Load	Max. 500Ω
Resolution	12-bit
Accuracy	± 1% of FSR
Communication	
Interface	Isolation RS-485
Data Bit	8 bits
Parity	Odd, Even, None
Stop Bits	1,2 bits
Communication Protocol	Modbus RTU / Modbus ASCII
Communication Speed	Serial: From 1,200 to 115.2k
Comm. Distance	Serial: 1.2km
Data Flow Control	Yes
General	
Watchdog Timer	System & Communication
Connector	2 × plug-in terminal block (#14~28 AWG)

Temperature(Operating)	-10 ~ +70 °C (+14 ~ +158 °F)
Humidity	5~95 %RH
Temperature(Storage)	-25 ~ +85 °C (-13 ~ +185 °F)
Degree Of Protection	IP20
Installation	35 mm DIN rail / Flush mounting
Dimension (W×H×D)	76.4*118.2*40.7 mm

## Dimension



Unit: mm

## Order Information

### A-53 Series Ethernet Controller

Model No	Description	Interface
A-5389	DCS Ethernet Controller, 14DI/8DO/4AI/2AO,SD available,R/O	USB*1,RS-485*2,RS-232*1,Ethernet*1(100M)

### A-51 Series Controller

Model No	Description	Interface
A-5191	Controllers, LED Indicator, 16DI, 4AI(0~10V),10DO Relay Output	2*RS485&1*RS232&1*USB
A-5190	Controller, 2DI, 4AI(2*0/4~20mA,2*PT-100), 2DO (10~60V,1.75A), 2AO(0/4-20mA)	1*RS485&1*USB
A-5188	Controller, LED Indicator, 8DI Digital Input, 4DO Relay Output	2*RS485&1*RS232&1*USB
A-5189	Controller, LED Indicator, 4DI,4AI(0-10V), 4DO Power Relay	2*RS485&1*RS232&1*USB

A-5188-T	Controller, LED Indicator, 8DI Digital Input, 4DO Transistor Output	2*RS485&1*RS232&1*USB
A-5189-T	Controller, LED Indicator, 4DI,4AI(0-10V), 4DO Transistor Output	2*RS485&1*RS232&1*USB
A-5188D	Controller, LCD Display, 8DI Digital Input, 4DO Relay Output	2*RS485&1*RS232&1*USB
A-5189D	Controller, LCD Display, 4DI 4AI(0-10V), 4DO Power Relay	2*RS485&1*RS232&1*USB
A-5188D-T	Controller, LCD Display, 8DI Digital Input, 4DO Transistor Output	2*RS485&1*RS232&1*USB
A-5189D-T	Controller, LCD Display, 4DI,4AI(0-10V),4DO Transistor Output	2*RS485&1*RS232&1*USB

### A-10 Series I/O Module

Model No	Description	Interface
A-1057	DO Remote Modules, LED indicator, DC Power Supply, 12DO, Source Output	RS-485*1
A-1058	DO Remote Modules, LED indicator, DC Power Supply, 12DO, Sink Output	RS-485*1
A-1069	DO Remote Modules, LED indicator, DC Power Supply, 8DO, Power Relay Output	RS-485*1
A-1051	DI Remote Modules, LED indicator, DC Power Supply, 16DI	RS-485*1
A-1055	DIO Remote Modules, LED indicator, DC Power Supply, 8DI/8DO, Sink Output	RS-485*1
A-1055S	DIO Remote Modules, LED indicator, DC Power Supply, 8DI/8DO, Source Output	RS-485*1
A-1060	DIO Remote Modules, LED indicator, DC Power Supply, 8DI/4DO, Power Relay Output	RS-485*1
A-1010	DIAO Remote Modules, LED indicator, DC Power Supply, 8AI(0~10V,10bit), 2AO(0~10V,10bit), 4DO(sink)	RS-485*1
A-1010+	DIAO Remote Modules, LED indicator, DC Power Supply, 8AI(0~10V,10bit), 2AO(0~10V,10bit), 4DO(sink)	RS-485*1 <b>Isolated</b>
A-1012	ADIO Remote Modules, LED indicator, DC Power Supply, 2DI, 4AI(0~20/4~20mA + PT-100/1000), 2AO(0~20/4~20mA), 2DO(Transistor)	RS-485*1 USB*1
A-1012+	ADIO Remote Modules, LED indicator, DC Power Supply, 2DI, 4AI(0~20/4~20mA + PT-100/1000) <b>Isolated</b> , 2AO(0~20/4~20mA), 2DO(Transistor)	RS-485*1 <b>Isolated</b>
A-1013	4AI(0~10V/2~10V + PT-100/1000), 2AO(0~10V/2~10V), 2DI, 2DO(Source Output)	RS-485*1, USB*1
A-1019	ADIO Remote Modules, LED indicator, DC Power Supply, 4DI, 8AI(0~20/4~20mA,J,K,T,E,R,S,B, Thermistor)	RS-485*1 USB*1
A-1019+	ADIO Remote Modules, LED indicator, DC Power Supply, 4DI, 8AI(0~20/4~20mA,J,K,T,E,R,S,B, Thermistor) <b>Isolated</b>	RS-485*1 <b>Isolated</b> USB*1
A-1036+	AO Remote Modules, LED indicator, DC Power Supply, 6AO(0~20/4~20mA)	RS-485*1 <b>Isolated</b>
A-1038+	AO Remote Modules, LED indicator, DC Power Supply, 8AO(0~10V)	RS-485*1 <b>Isolated</b>

**A-18 Series Ethernet I/O Module**

Model No	Description	Interface
A-1819	Ethernet IO Module, 8AI (0/4~20mA A,J,K,T,E,R,S,B,Thermistor-270 ~ +1800℃ )	USB*1, Ethernet*1(100M)
A-1812	Ethernet IO Module, 2DI 4AI(2*0/4~20mA,2*PT-100/1000) 2AO	USB*1, Ethernet*1(100M)
A-1851	Ethernet IO Module, 16DI	USB*1, Ethernet*1(100M)
A-1855	Ethernet IO Module, 8DI, 4DO(Motor Driver 8~60V/1.75A)	USB*1, Ethernet*1(100M)
A-1860	Ethernet IO Module, 8DI, 4DO Power Relay (250VA/7A, 30VD/7A)	USB*1, Ethernet*1(100M)
A-1869	Ethernet IO Module, 8DO Power Relay (250VA/7A, 30VD/7A)	USB*1, Ethernet*1(100M)
A-1855S	Ethernet IO Module, 8DI, 4DO Source (10-40VDC/1A)	USB*1, Ethernet*1(100M)

**Contact us**

Shenzhen ATC Technology Co.,Ltd

Add. Room 803, Block D, Building 16, South Station Enterprise City,Port Road Nanhai District, Foshan, China,528251

Tel: (86 757) 8676 7929

Email: [sales@szatc.com](mailto:sales@szatc.com) [support@szatc.com](mailto:support@szatc.com)

Website: [www.szatc.com](http://www.szatc.com)